

# Greenleaf |

Urban tree and landscape products

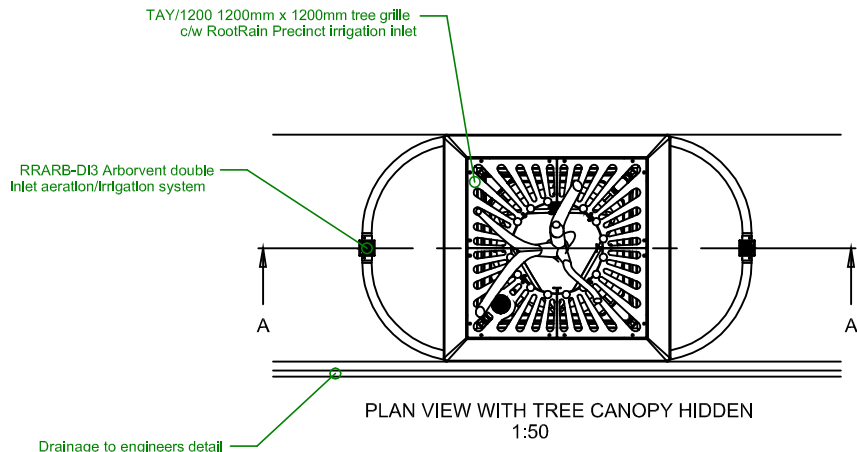
## Arborsystem







REVISION HISTORY			
REV	DESCRIPTION	DATE	APPROVED



### Product descriptions

GLRCM RootCells, 312 No. 250mm x 250mm x 90mm

RD1050 Root Director

SAS-L root ball guying system

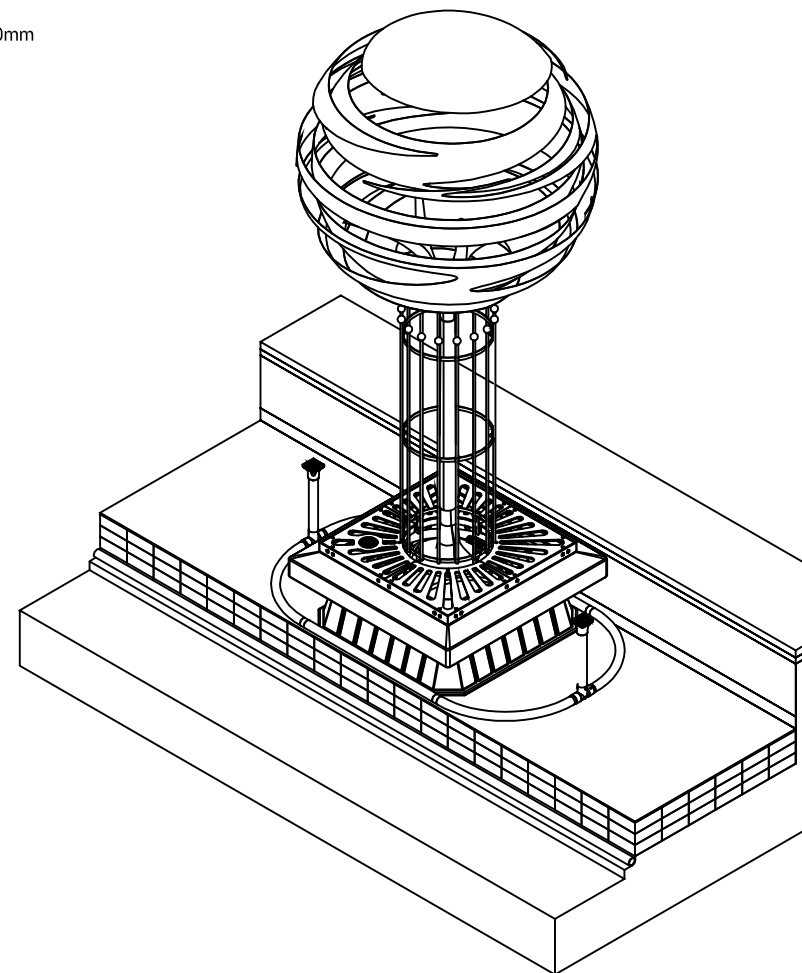
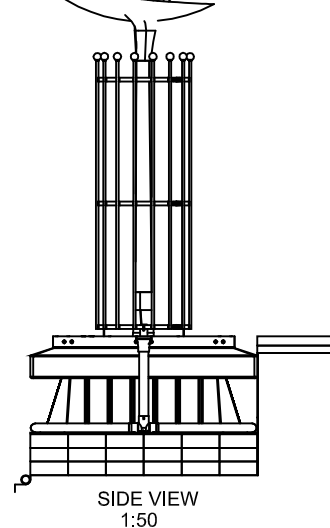
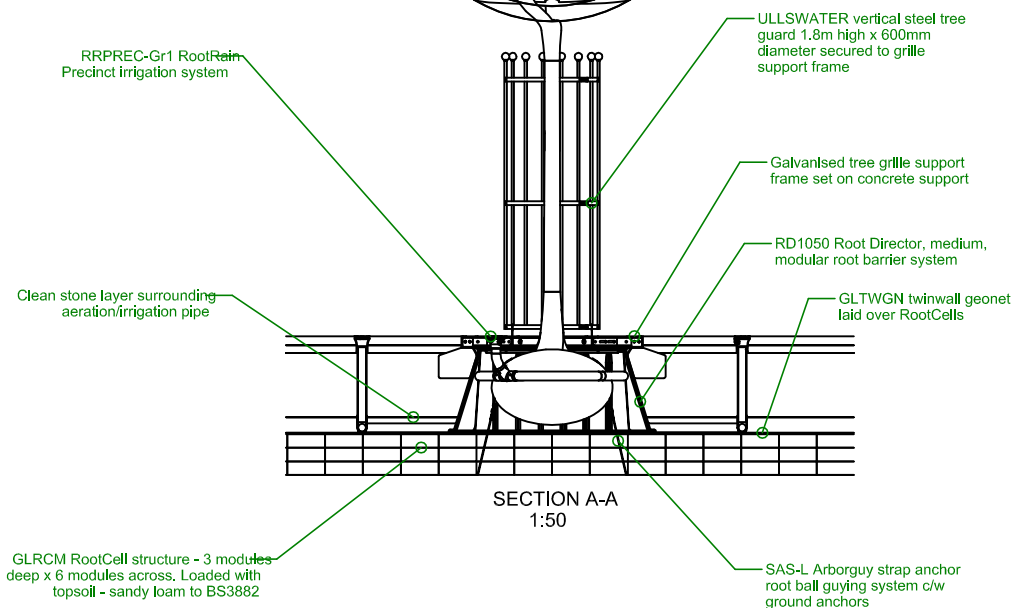
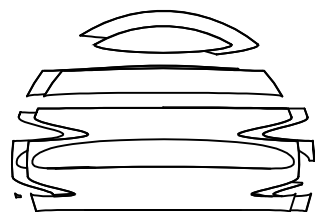
RRPREC-Gr1 irrigation system

RRARB-Di3 Arborvent double inlet aeration/irrigation system with cast inlets

TAY/1200 1200mm x 1200mm tree grille and support frame finished in black

ULLSWATER vertical steel tree guard, galvanised and finished in black

GLTWGN twinwall geonet 6.5 Sq. m



ISOMETRIC VIEW WITH CUT-AWAY TO SHOW PRODUCTS 1:50

Tree pit system incorporating triple stack RootCell load bearing soil module. Structure surround root management, irrigation, aeration, guying, tree grille and guard.

NAME		DATE	GREENLEAF	
DRAWN	Adrian White	13/02/2008	Urban tree and landscape products Tel: 01424 717797 Fax: 01424 205240	
CHECKED			TITLE	
ENG APPR			TREE PRODUCT PACKAGES	
MGR APPR			GR16 Tree pit system installation	
UNLESS OTHERWISE SPECIFIED DIMENSIONS ARE IN MILLIMETERS ANGLES ±X.X°			SIZE DWG NO	REV
2 PL ±X.XX 3 PL ±X.XXX			A4 TPS0016-00	B
FILENAME: GR16.dft			SCALE:	WEIGHT:
				SHEET 1 OF 1